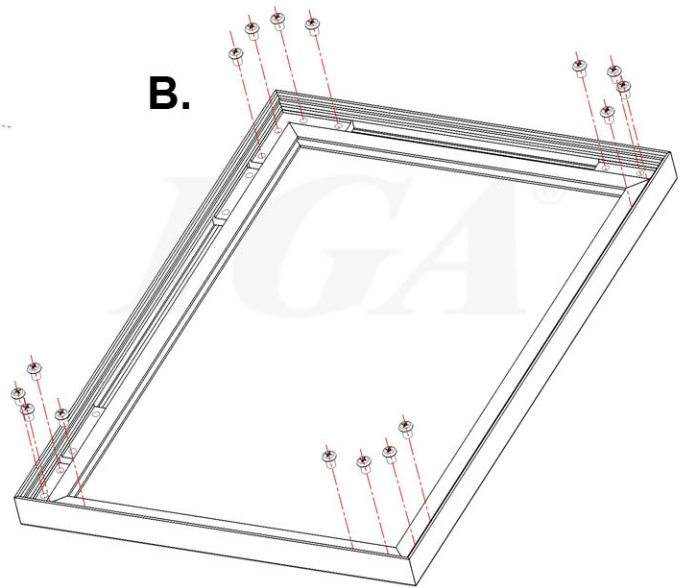
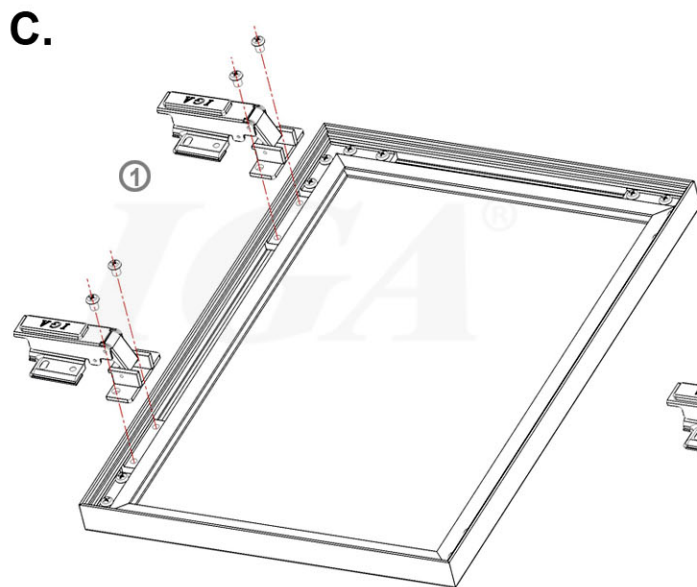


- ① Hinge screw base
- ② Joint angle
- ③ Profile
- ④ Glass



1. Fasten the frame with screws.



- ① Hinge
1. Hinge YC2107(K), YC2108(K), YC2109(K)
is available.
2. Fasten the hinges with screws.

